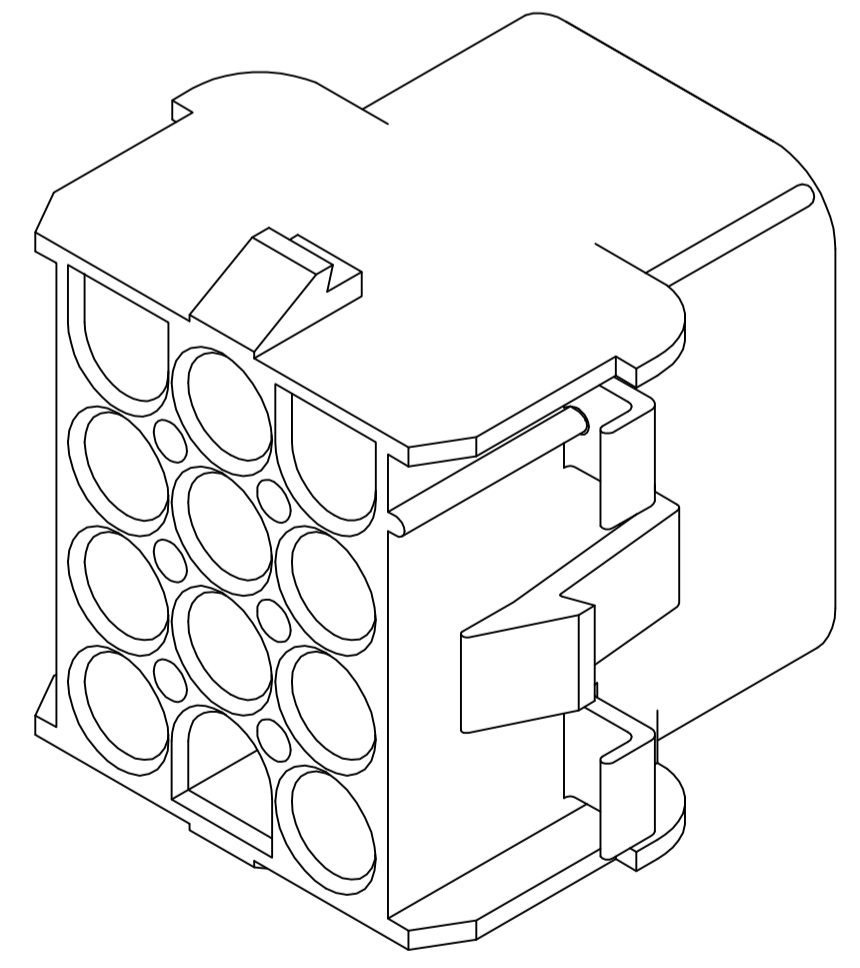
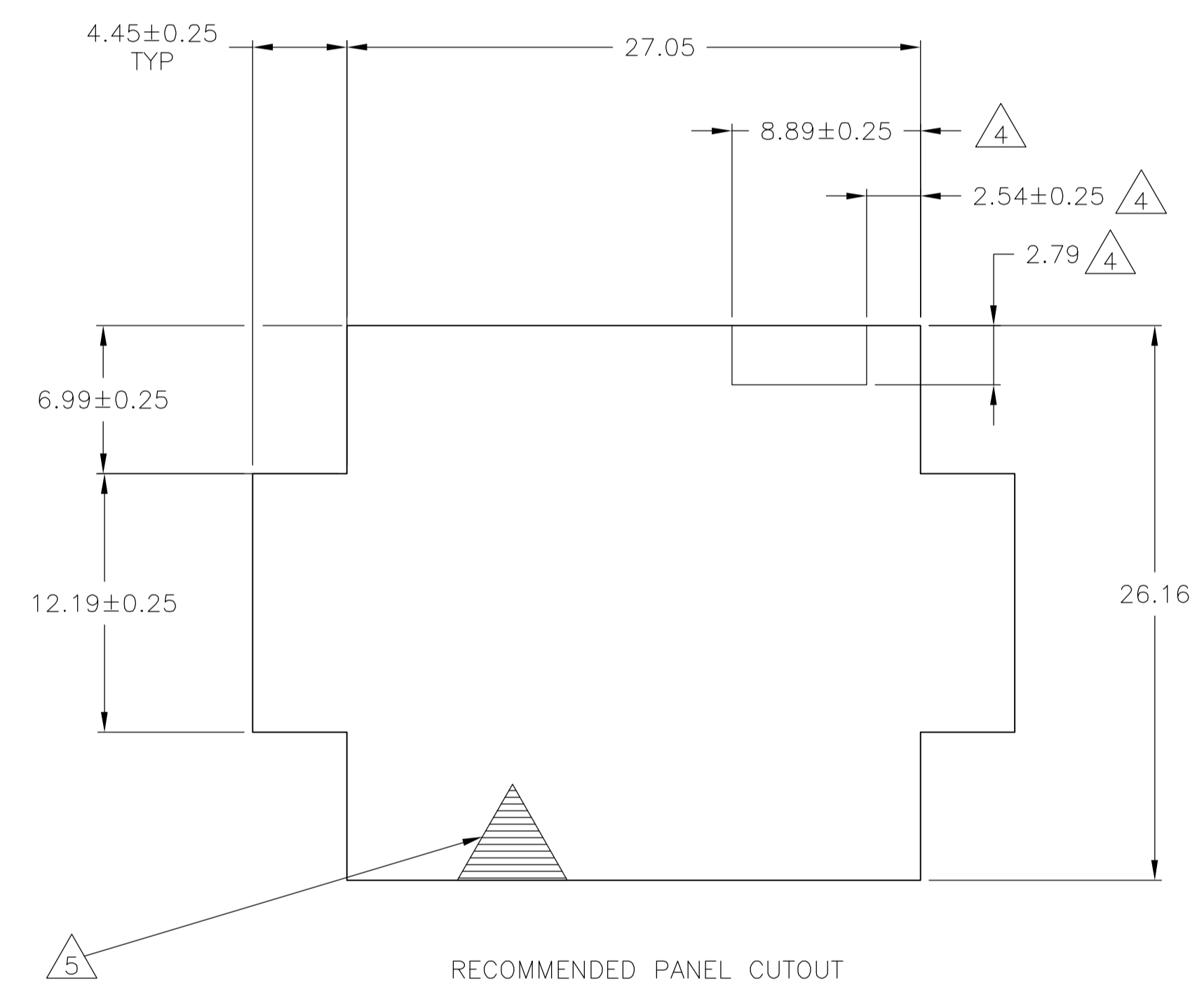
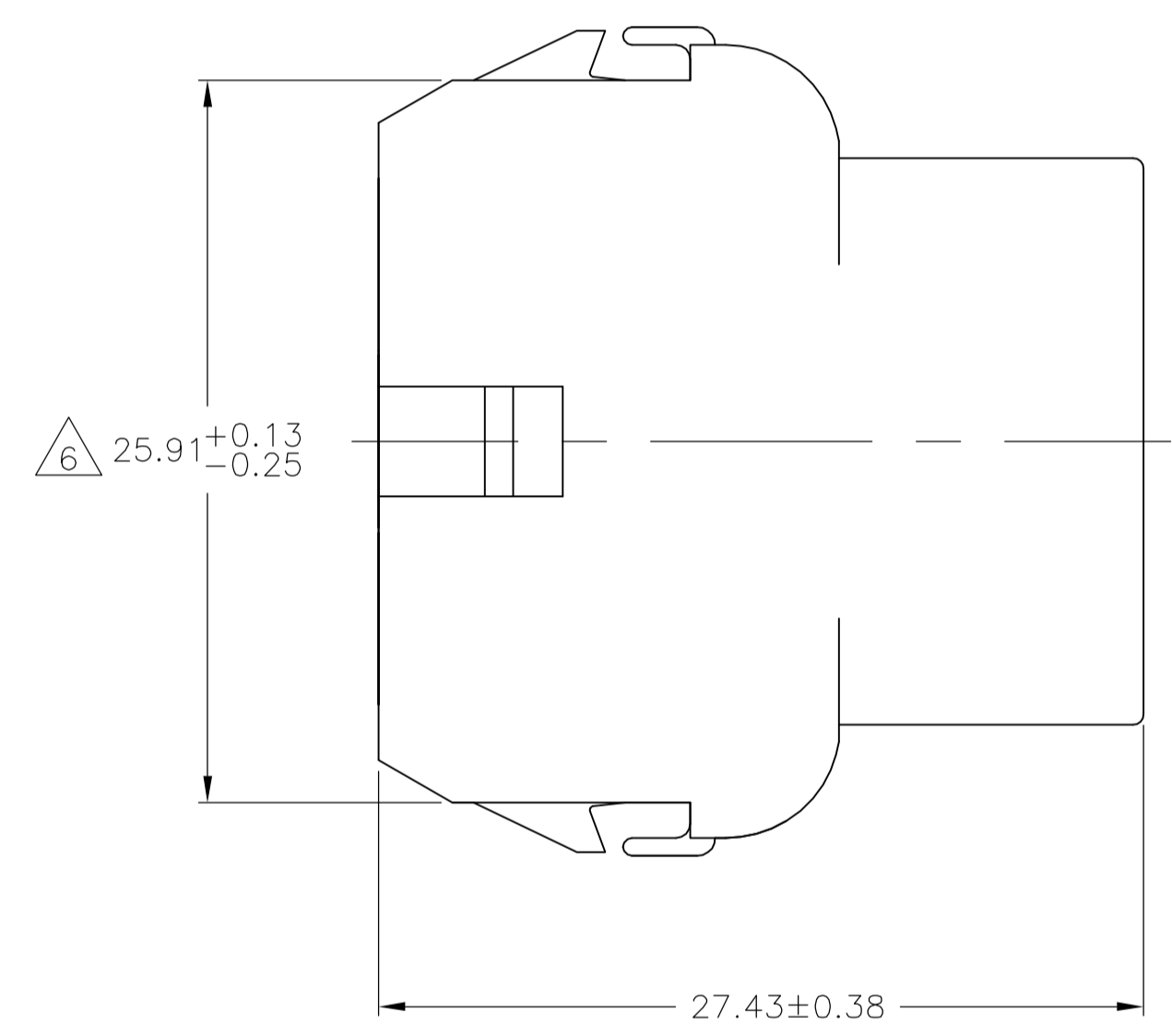
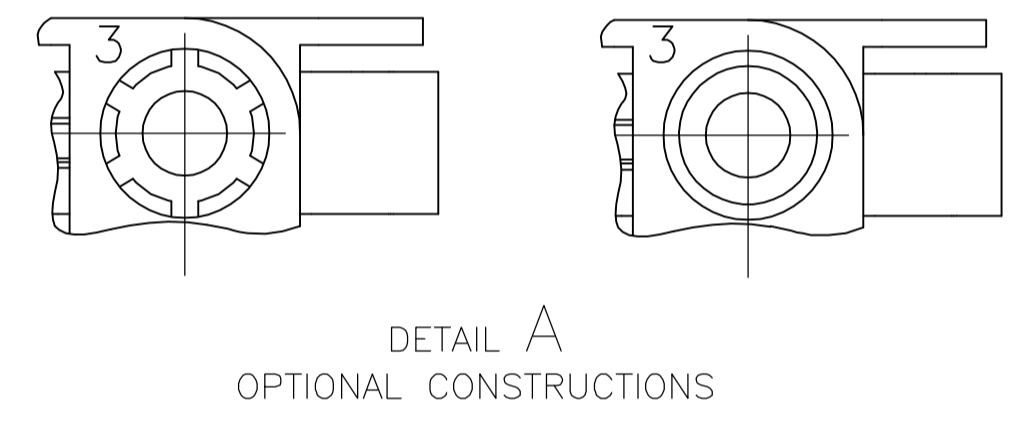


1. MATE WITH APPROPRIATE UNIVERSAL MATE-N-LOCK™ PLUG.
2. RECOMMENDED PANEL THICKNESS 0.75 - 2.29.
3. PANEL MUST BE PUNCHED SO THAT THE HOUSING ENTERS THE PANEL IN THE SAME DIRECTION AS THE PUNCH.
4. OPTIONAL FOR KEYING HOUSING IN PANEL.
5. CIRCUIT NUMBER 1 LOCATION.
6. DIMENSION INDICATED IS AS MOLDED. ADDITIONAL GROWTH DUE TO SUBSEQUENT MOISTURE ABSORPTION MAY OCCUR.
7. FOUR RIBS EQUALLY SPACED, NO SPECIFIC ORIENTATION. NO RIBS OR SIX RIBS EQUALLY SPACED, NO SPECIFIED ORIENTATION, OPTIONAL.
8. UNDERWRITERS RECOGNIZED COMPONENT LOGO AND CSA CERTIFICATION LOGO TO BE LOCATED ONCE EACH ON SIDE OF HOUSING.



3-DIMENSIONAL MODEL
NTS

6.99	.275	27.43	1.080
4.45	.175	27.05	1.065
2.79	.110	26.67	1.050
2.54	.100	26.16	1.030
2.29	.090	25.91	1.020
0.76	.030	20.32	.800
0.38	.015	12.19	.480
0.25	.010	8.89	.350
0.13	.005	8.13	.320
MM	IN	MM	IN

CONVERSION TABLE

BLACK	1-480709-9
GRAY	1-480709-8
BLUE	1-480709-6
GREEN	1-480709-5
YELLOW	1-480709-4
ORANGE	1-480709-3
RED	1-480709-2
BROWN	1-480709-1
NATURAL	1-480709-0
COLOR	PART NO

THIS DRAWING IS A CONTROLLED DOCUMENT.

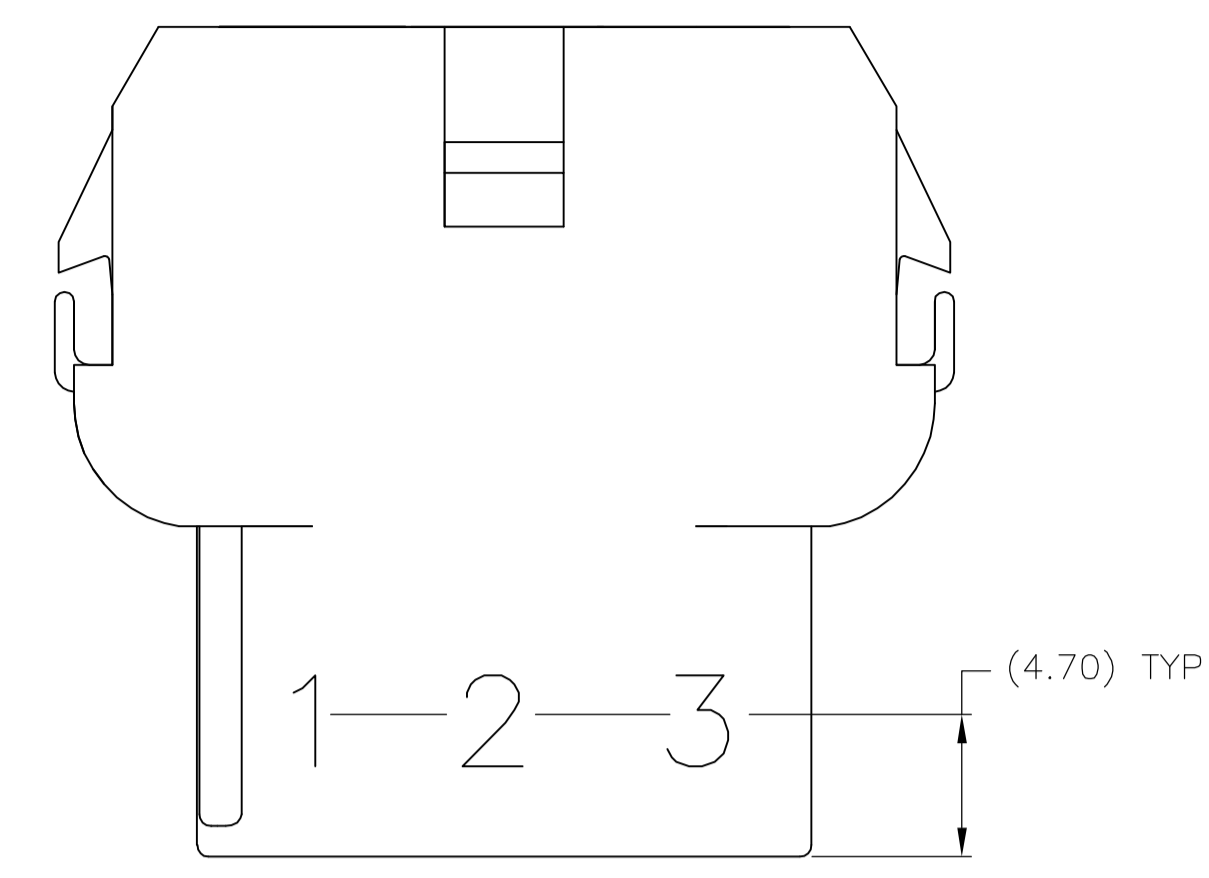
DIMENSIONS: mm	TOLERANCES UNLESS OTHERWISE SPECIFIED:	DWN: K. WHITAKER 29JUL2004		Tyco Electronics Corporation Harrisburg, PA 17105-3608
0 PLC ± -	1 PLC ± -	CHK: S. RIDGILL 29JUL2004		NAME: CAP, 12 CIRCUIT, UNIVERSAL MATE-N-LOK™
2 PLC ± ± 0.13	3 PLC ± -	APVD: S. RIDGILL 29JUL2004	PRODUCT SPEC: -	APPLICATION SPEC: -
4 PLC ± -	ANGLES ± ± 0.30°	MATERIAL: NYLON, UL94V-2	FINISH: -	WEIGHT: -

CUSTOMER DRAWING

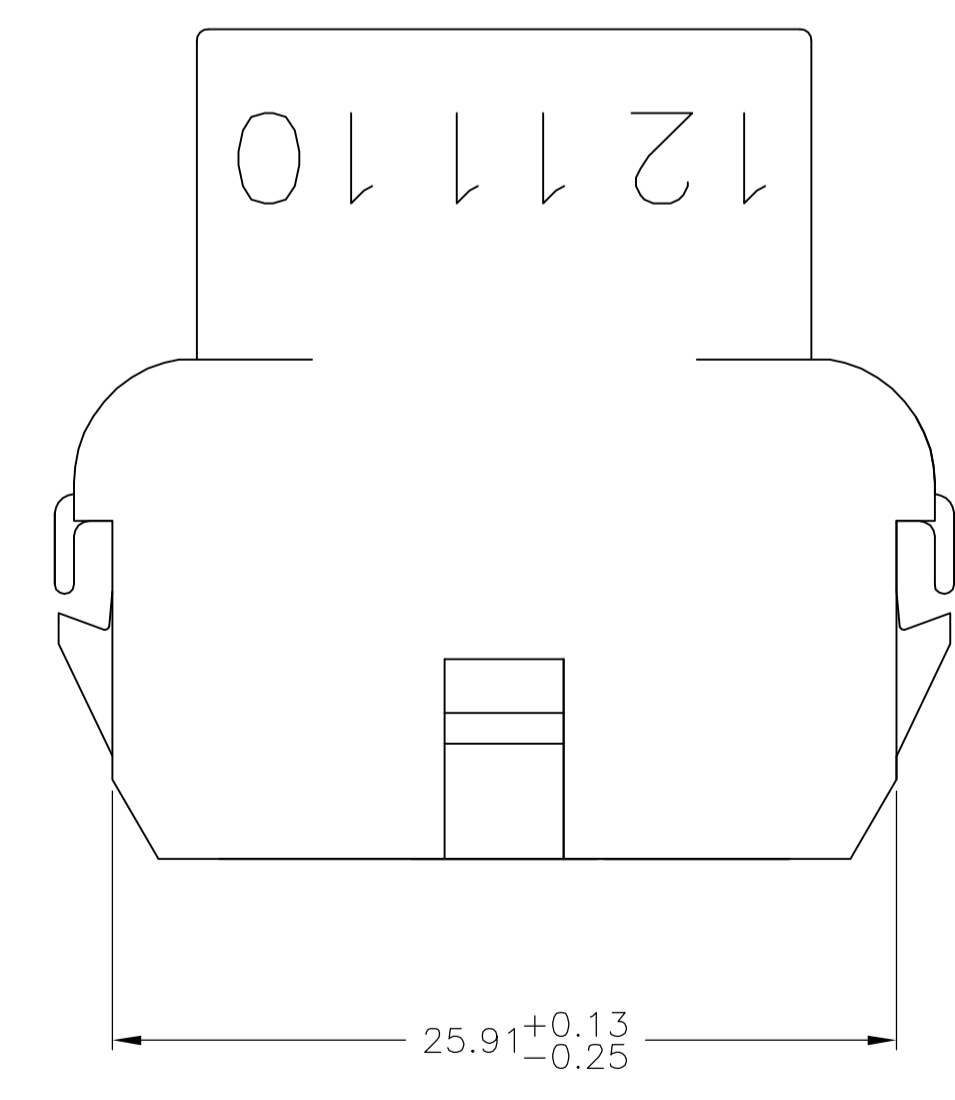
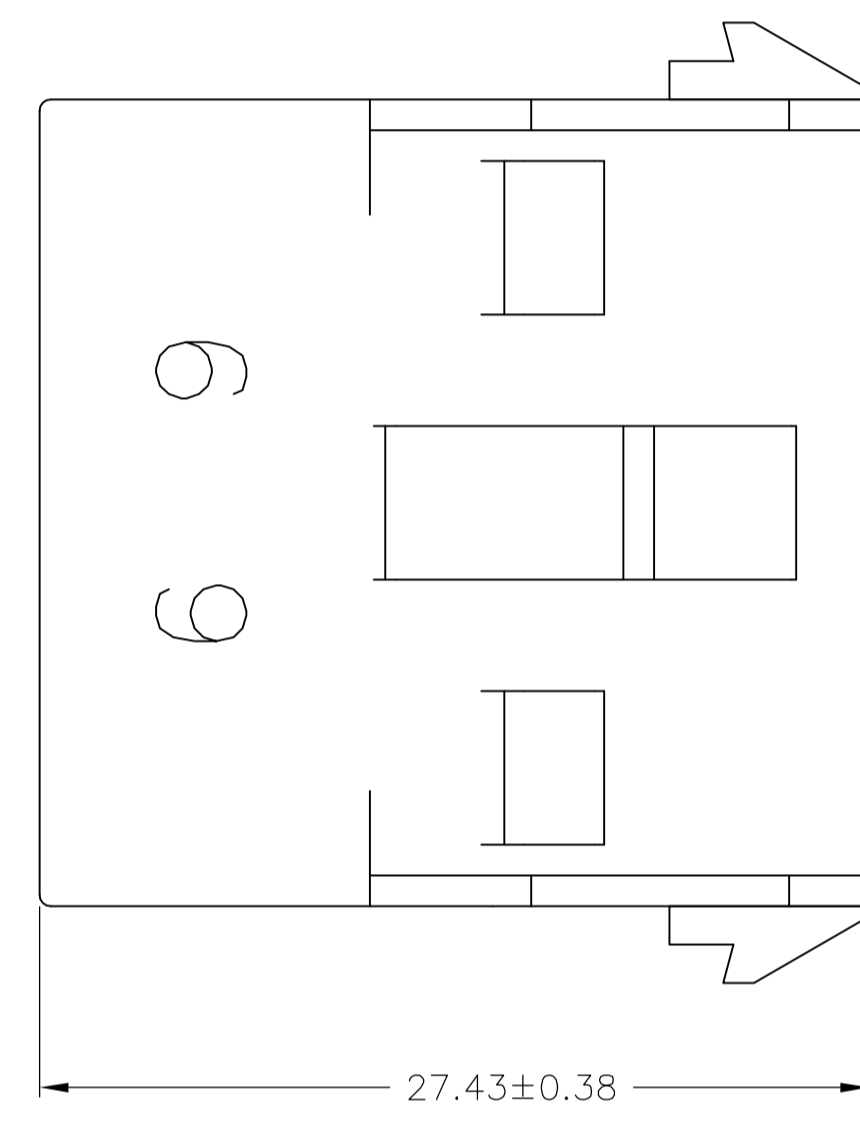
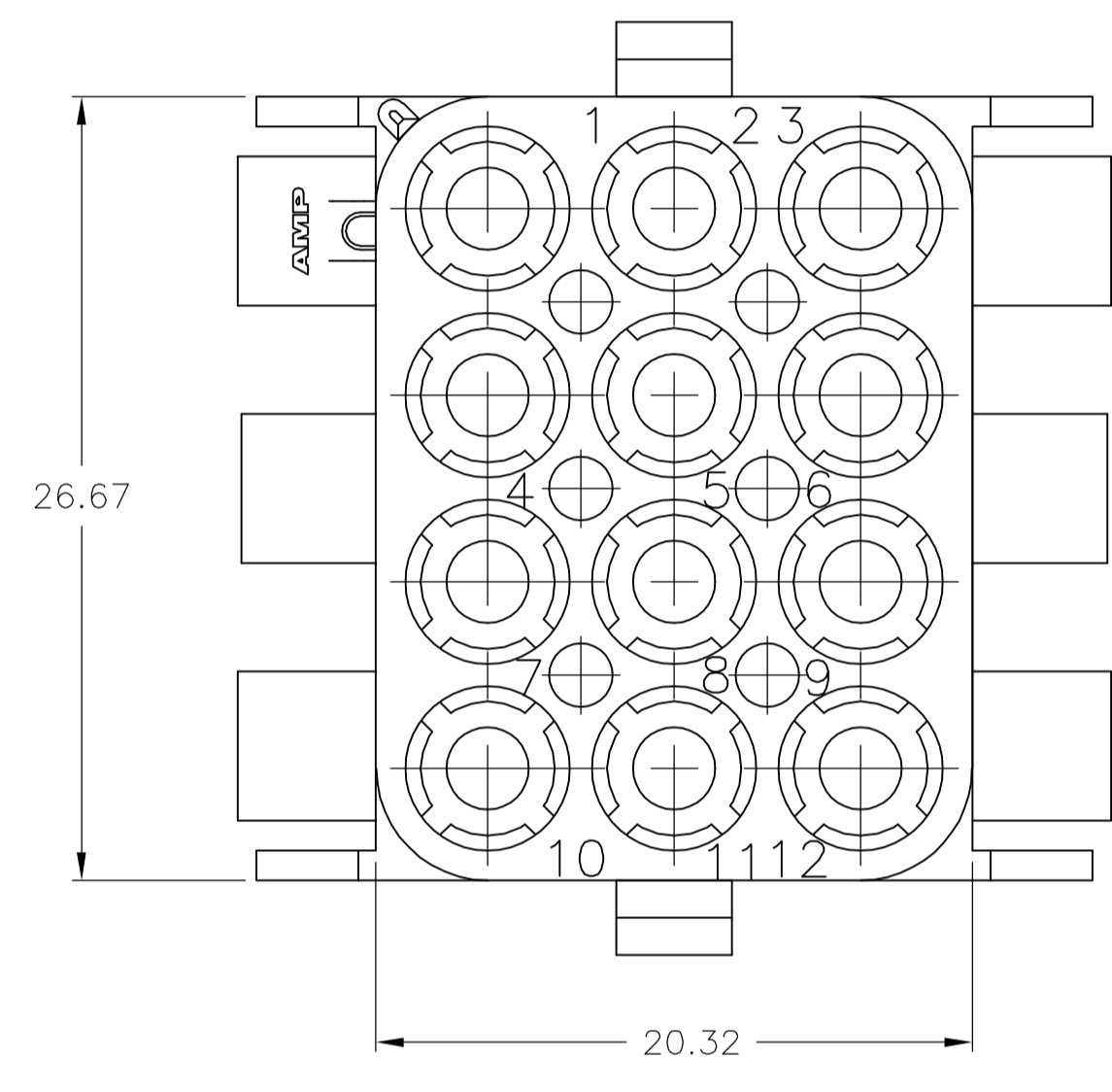
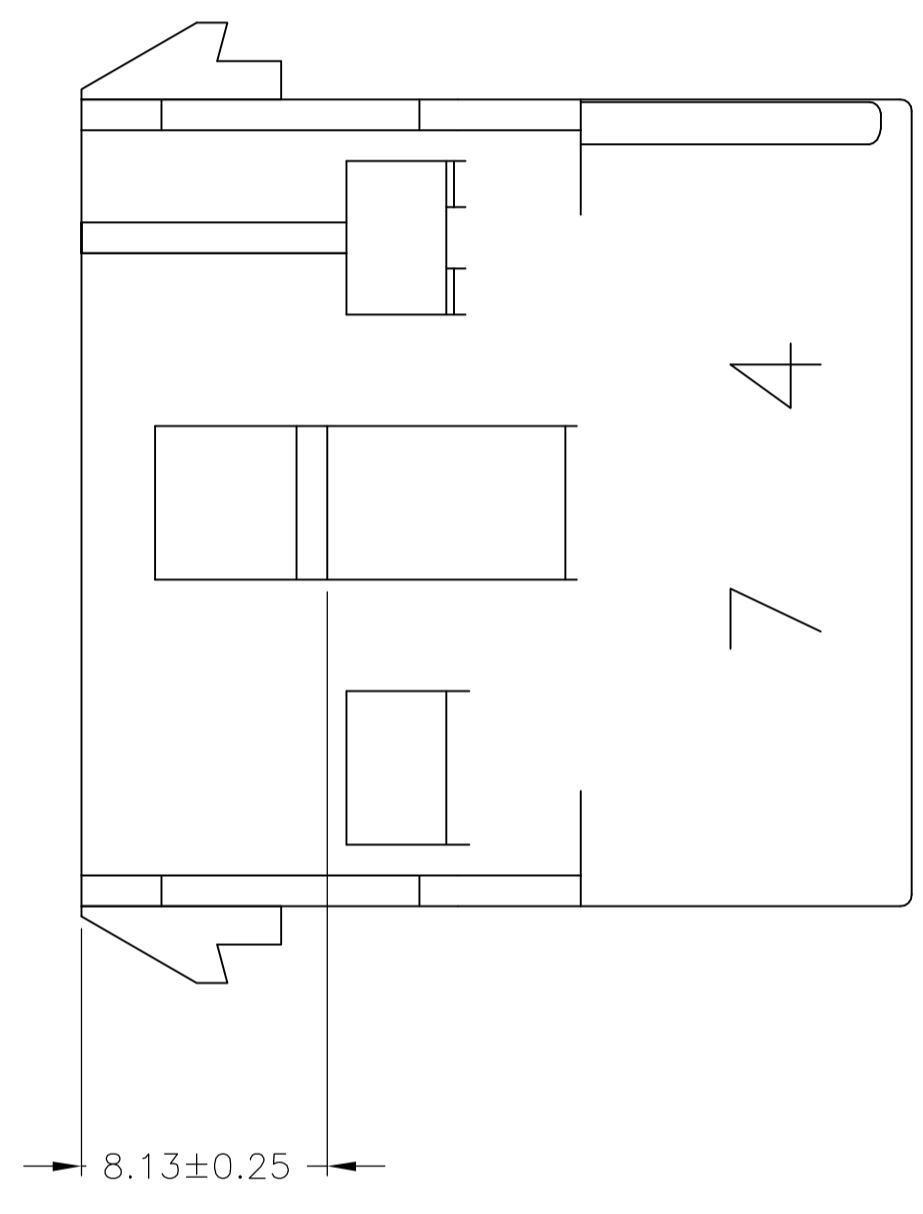
SCALE: 4:1 SHEET 1 OF 2 REV AL

METRIC

LOC		DIST		REVISIONS			
CM	00	REV	DATE	DESCRIPTION	DATE	BY	APPV
		1		SEE SHEET 1			



1. STAMP NUMBERS 3.18 HIGH AT WIRE END OF HOUSING (12 POINT DAVID TYPE); CLARIFICATION MARKS UNDER THE 6 & 9.
2. CHARACTERS TO BE STAMPED ON HOUSING IN A MANNER AS TO BE READ FROM WIRE END ONLY.
3. VIOLET, BLACK, BROWN, AND BLUE COLORED BLOCKS TO BE STAMPED WITH WHITE CHARACTERS. ALL OTHER COLORED BLOCKS TO BE STAMPED WITH BLACK CHARACTERS.



MM	IN	MM	IN
5.08	.200	-	-
4.70	.185	27.43	1.080
3.18	.125	26.67	1.050
0.38	.015	25.91	1.020
0.25	.010	20.32	.800
0.13	.005	8.13	.320

CONVERSION TABLE

NATURAL	2-480709-0
COLOR	PART NO

THIS DRAWING IS A CONTROLLED DOCUMENT.

DIMENSIONS: mm	TOLERANCES UNLESS OTHERWISE SPECIFIED:	DWG: K. WHITAKER 29JUL2004		Tyco Electronics Corporation Harrisburg, PA 17105-3608
0 PLC ± -	1 PLC ± -	CHK: S. RIDGILL 29JUL2004		NAME: CAP, 12 CIRCUIT, UNIVERSAL MATE-N-LOK™
2 PLC ± 0.13	3 PLC ± -	APVD: S. RIDGILL 29JUL2004	PRODUCT SPEC: -	APPLICATION SPEC: -
4 PLC ± -	ANGLES ± 0.30°	MATERIAL: NYLON, UL94V-2	FINISH: -	WEIGHT: -

CUSTOMER DRAWING

SCALE: 1:1 SHEET 2 OF 2 REV AL

METRIC